

# **Digital Music Player**

**For 2001-2010  
Honda® GL-1800**

**Part #JMDM-IPAX-GL18**

**Installation  
& Operating  
Instructions**

This exciting new digital music player from J&M will plug directly into the CD selected music input plug on all 2001-2010 Honda Gold Wing audio systems, replacing the Honda CD changer, at a fraction of the cost.

Store and play up to 884 MP3 song tracks from your music library on a single SD card, (exact # of song track storage and playback will vary depending on model year of the GL-1800) and toggle thru song after song using your existing handlebar audio system controls.

Plug in your iPod® or iPhone® with your favorite music files stored, and toggle thru song after song, or playlist after playlist, using your existing handlebar audio system controls, without discharging your iPod's internal battery.

Plug in your remote mounted Satellite radio receiver or MP3 player, using the 3.5mm 3-conductor plug accessory cable and enjoy high-quality stereo music thru the Honda audio system CD selection.

All of these possible music sources can be played, while still maintaining all of the normal integrated functions of the GL-1800 audio system, including driver-passenger intercom and CB radio.

Control head mounts down into the base inside the tail trunk, in place of the CD changer, as a complete plug-n-play installation.

This digital music player kit includes a direct plug-n-play harness for the GL-1800 audio system, SD card reader/adaptor, USB cable extension for iPod, 3.5mm aux extension cable for satellite radio or MP3 player, pre-loaded 4Gb test SD card, pre-gummed Velcro mounting strips and complete installation and operation instructions.

**Important Note:** When installing this unit on 2009-2010 GL-1800s, if you wish to use the XM satellite radio feature of your audio system, with this digital music changer, you will need to purchase at additional cost J&M part# JMDM-ADT-GL18.

---

### Included Parts:

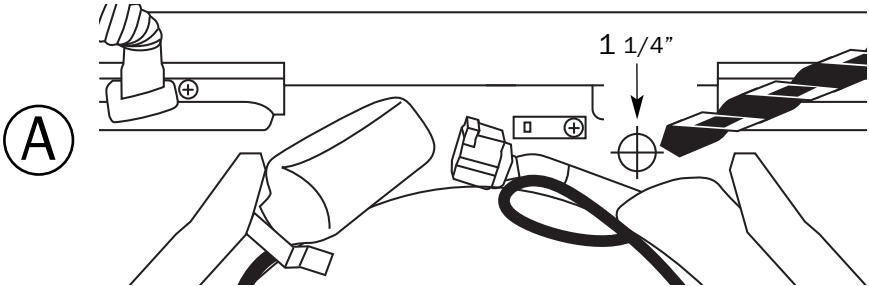
- Digital music player
- SD card (pre-loaded with sample/test MP3 files)
- GL-1800 connection harness
- iPod connection cable
- Auxiliary extension cable
- SD card reader/writer
- Velcro strips for mounting

**Note:** The DIP switches on the JMDM-IPAX-GL18 are set at the factory to the ON position and all four switches must be left ON in order for the digital music player to function correctly.

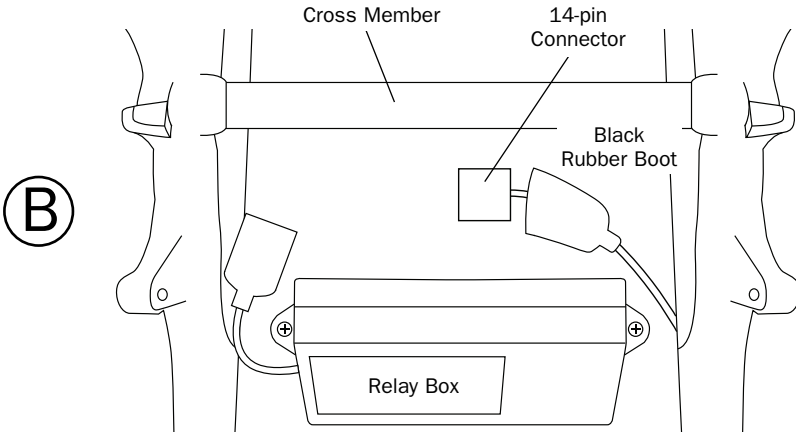
## Installation

1. Remove seat.
2. Locate the mark on the lower left edge of the tour pack and drill a 1 1/4" hole.

**Diagram A**



3. Route the included cables through the hole and install the supplied rubber grommet on the cables and into the 1 1/4" hole.



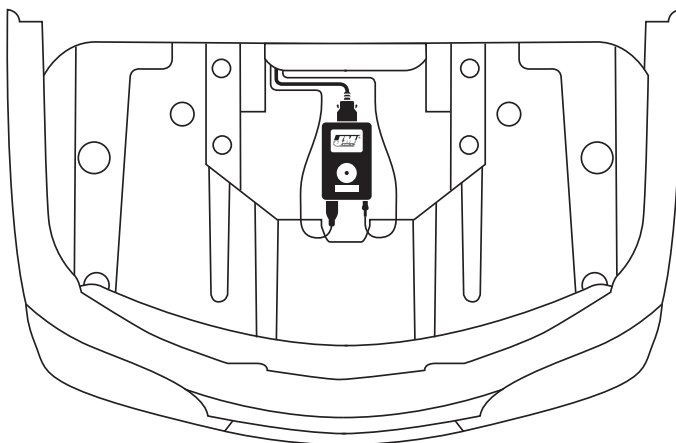
4. Locate the white 14 pin plug located in the black rubber boot next to the cross-member and relay box under the seat. **Diagram B**
5. Plug the white 14 pin connector from the JMDM-IPAX-GL18 harness into the corresponding plug on the bike. **NOTE:** The cable must be routed under the cross member to prevent damage to the cable.
6. Plug the 20 pin plug on the harness in to the JMDM-IPAX-GL18.
7. If you wish to use the iPod function, route the included iPod cable to your handlebar mounted iPod, or desired mounting location.

8. If you wish to use the aux input function, route the included Auxiliary cable to your handlebar mounted satellite radio/MP3 player or desired mounting location. **Note:** Connection of the Auxiliary cable to the JMDM-IPAX-GL18 will override the SD card and music from the SD card will not be heard, until the aux cable is unplugged.

9. Test the JMDM-IPAX-GL18 by inserting the supplied SD card. Turn the ignition switch to either the on or ACC position and select CD on the stereo.

Using the "Tune/Disc" up down toggle control on the handlebar, select between individual tracks with each single toggle, or hold up/down for 3 seconds to change to another folder/CD #.

**Important Note:** When installing this unit on 2009-2010 GL-1800s, if you wish to use the factory installed XM satellite radio feature of your audio system, in conjunction with the J&M digital music changer, you will need to purchase at an additional cost J&M part# JMDM-ADT-GL18.



### **General tips for use with with iPod**

---

When connection is made to the iPod the music from the SD card will no longer be heard and the iPod will begin charging. The iPod will begin to play songs or playlists depending on what has been selected on the iPod. Press the "Tune/Disc" lever on the handlebar up to play the next song. Press the "Tune/Disc" down to play the previous song. Press and hold the "Tune/Disc" up for three seconds to go to the next playlist. Press and hold the "Tune/Disc" down for three seconds to go to the previous playlist.

### **General tips for use with aux input**

---

When the Auxiliary audio cable is plugged into the JMDM-IPAX-GL18 the music from the SD card will no longer be heard. Plug the auxiliary cable into the satellite radio/MP3 player. The "Tune/Disc" handlebar lever will have no effect on functions of the satellite radio/MP3 player.

**Note:** If both an iPod and auxiliary device are used simultaneously the iPod and auxiliary audio will mix together and be heard at the same time.

## General Tips for Use with SD Card

---

For the 2001-2005 GL-1800, it usually works best to limit the # of folders to 5, plus the root, with no more than 45 files/tracks per folder, using a 4Gb (max) SD card.

2006-2010 GL-1800s will support up to 8 folders, plus the root and up to 99 files/tracks per folder, using an SD card up to 8Gb in size.

The included card reader/writer is not a thumb drive and is used only to load music into your SD card.

The suggested file format for music is MP3, while WMA can be used if the files/tracks are not protected.

If you are using iTunes, the music files will need to be converted to MP3 before they are loaded into the SD card or thumb drive.

When both an SD card and USB Flash Drive are inserted into the JMDM-GL18B, the SD card will be recognized first.

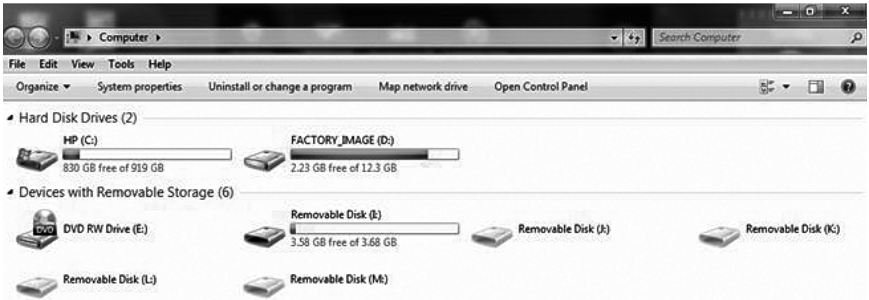
## How to add MP3 or WMA files/folders to an SD Card or USB Thumb-Drive.

---

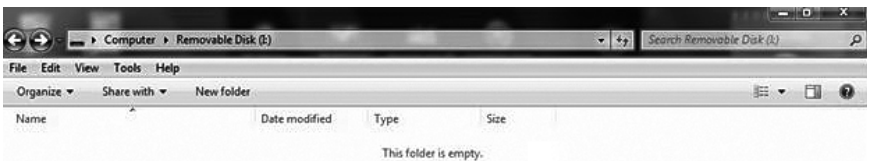
1. Connect your SD card to the computer by inserting the SD card into the supplied SD card reader/writer or simply plug your USB Thumb Drive into the computer.
2. Click on **Start** and then **My Computer**.



3. Now find the SD card or USB thumb-drive (designated as Disk (I): in this example)

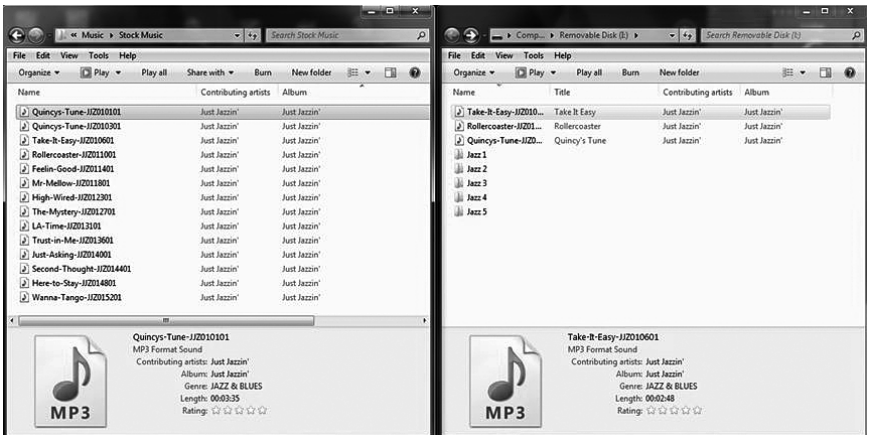


4. Click on the **Removable Disk (I):** and you should now have an open folder, this is also known as the Root Folder.



5. At this point Music can be added to the SD Card or USB Thumb-Drive. You will need to locate your MP3 or WMA files on your computer.

6. To transfer music files from your computer to the SD Card or USB Thumb-Drive, drag and drop at least one track into this main root folder. This main root folder must contain at least one MP3 file/track or the JMDM-GL18B will not play. This main root folder will be displayed as CD 1.7. For a more complex method of arranging and playing your music, move your music to the SD Card or USB Thumb-Drive into specific folders. This main folder is called the Root folder and **MUST CONTAIN AT LEAST ONE MP3 FILE OR THE JMDM-GL18B WILL NOT PLAY ANY MUSIC.** NOTE: This main folder will be displayed as CD 1.



Additional folders can now be added to the root folder by clicking on **(Top-Left) File**, then **New**, then **Folder**.

For the 2001-2005 GL-1800, it usually works best to limit the # of folders to 5, plus the root, with no more than 45 files/tracks per folder, using a 4Gb (max) SD card.

2006-2010 GL-1800s will support up to 8 folders, plus the root and up to 99 files/tracks per folder, using an SD card up to 8Gb in size.

These folders can be named as you choose but these names will not display on the Honda Radio, only the CD Disk number will be displayed. The MP3 files and folders will play in the actual order you have added them to the SD Card or USB thumb-drive, not by the track number itself.

Here is an example of five folders with three MP3 files/tracks in the main root folder, as per the included SD card.



7. When you are finished loading the SD card or USB thumb-drive, unplug it from the computer, insert into the JMDM-GL18B and select CD on the Honda audio system control panel.

The music will begin to play and is displayed as CD1. To change to the next folder press and hold the "Tune/Disc" up toggle for three seconds and CD2 will begin to play. If you do not press and hold the "Tune/Disc" up/down toggle for the three seconds, the next track will play in CD1 instead of the CD2 folder.

---

Thank you for the confidence you have shown by purchasing one of J&M's innovative products. If you have any questions during installation, or require further assistance, you may call us at 1-800-358-0881 from 8:00 a.m. to 5:00 p.m. Mountain Standard Time, Monday through Friday.



Tucson, Arizona, U.S.A.

Tel: (800) 358-0881

Website: <http://www.jmcorp.com>

E-mail: [audio@jmcorp.com](mailto:audio@jmcorp.com)

## WARRANTY AND REPAIR INFORMATION

**TWO YEAR LIMITED WARRANTY** In order to facilitate the servicing of this warranty, the Warranty Registration Form should be filled out and returned within 10 days of the date of purchase. However, return of the Warranty Registration Form is not a precondition of this warranty, and this Warranty will be observed by **J&M CORPORATION** whether or not the Warranty Registration Form is returned, on the condition that other satisfactory evidence of the date of the original purchase is provided to **J&M CORPORATION**.

**WHO PROVIDES THE WARRANTY?** This warranty is provided by **J&M CORPORATION**.

**WHO IS PROTECTED?** This warranty is extended only to the original owner of this J&M CORPORATION product and may not be transferred or assigned.

**WHAT IS COVERED AND HOW LONG?** This warranty covers all defects in material or workmanship of our product for a period of 2 years from date of original retail purchase. At its option, **J&M CORPORATION** will repair or replace any defective part(s) or equipment.

The provisions of the warranty shall not apply to any unit which has been subjected to misuse, neglect, incorrect mechanical or electrical installation, unauthorized modifications, accident, nor to units which have been repaired or altered outside of our factory.

**PROCEDURE FOR OBTAINING PERFORMANCE OF WARRANTY** In the event that the product does not conform to this warranty, the product should be shipped prepaid to the **J&M CORPORATION** service facility. Transportation charges, insurance fees, and labor costs for shipment, removal, or reinstallation of our product are not covered by this warranty. Loss or damage in shipment is the sole responsibility of the freight carrier.

**FOR YOUR INFORMATION** Repair as provided under this warranty is the exclusive remedy of the consumer. **J&M CORPORATION** shall not be liable for any incidental or consequential damages or for breach of any express or implied warranty on this product. Except to the extent prohibited by applicable law, any implied warranty of merchantability or fitness for a particular purpose on this product is limited in duration to the duration of the warranty. Some states do not allow the exclusion or limitation of incidental or consequential damages, or allow limitations on how long an implied warranty lasts, so the above limitations or exclusion may not apply to you. This warranty gives you specific legal rights which vary from state to state.

**J&M CORPORATION** reserves the right to make changes in design and to make improvements in its products without the obligation to incorporate the changes or improvements in any of its previously manufactured products.

**J&M CORPORATION** has not authorized anyone to make representations or warranties other than the warranty contained herein.

The above warranty is effective for all products manufactured after 10/01/86.

**NON-WARRANTY REPAIR RATES** **J&M CORPORATION** reserves the right to change the labor repair rates without prior notice. At the time of this printing the out-of-warranty repair is \$40 per hour for labor only. However, the customer is advised to verify the current rate when he/she calls customer service to obtain the return authorization number.

**FACTORY SERVICE ADDRESS** J&M Corporation, 1415 S. Cherry Avenue, Tucson, Arizona, 85713, U.S.A. Tel: 1-800-358-0881 audio@jmc corp.com www.jmc corp.com

**CUSTOMER SERVICE NUMBER 1-800-358-0881**



**WARRANTY REGISTRATION FORM** Please fill out this card completely and mail it immediately after purchase. Please be sure that your zip code and serial number (if applicable) are legible. This will help us to serve you better. **NOTE: Lift the velcro flap on the right speaker pouch to expose serial number.**

(PLEASE PRINT)

Name \_\_\_\_\_

Address \_\_\_\_\_

City \_\_\_\_\_ State \_\_\_\_\_ Zip \_\_\_\_\_

Motorcycle  Other  E-mail \_\_\_\_\_

Make \_\_\_\_\_ Model \_\_\_\_\_ Year \_\_\_\_\_

Product part number \_\_\_\_\_

Serial number (if applicable) \_\_\_\_\_

Date of purchase \_\_\_\_\_

Name of dealer it was purchased from \_\_\_\_\_



Mail to:  
J&M Corporation  
1415 S. Cherry Avenue  
Tucson, AZ 85713  
U.S.A.