

#LPCBA Series

LICENSE PLATE MOUNTED CB ANTENNA



INSTALLATION

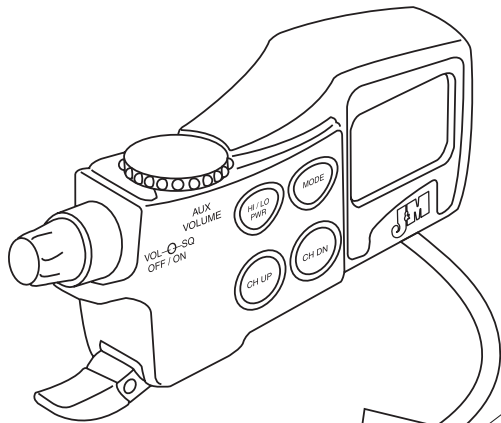
- 1) Hold the antenna mounting bracket against the license plate bracket in the desired position. Mark the position of the holes to be drilled and the line where the excess mounting bracket is to be trimmed off.
- 2) Drill holes and saw off the excess bracket.
- 3) Sandwich the antenna mounting bracket between the license plate and the license plate mounting bracket and secure.
- 4) Attach the ground wire to a frame bolt.
- 5) Run the coaxial cable to the JMCB-2003 handlebar-mounted audio system and connect.

Note: This antenna has been designed to mount to your motorcycle easily and attractively. The antenna staff has been pre-tuned specifically for use with J&M's JMCB-2003 CB. No further tuning is required.

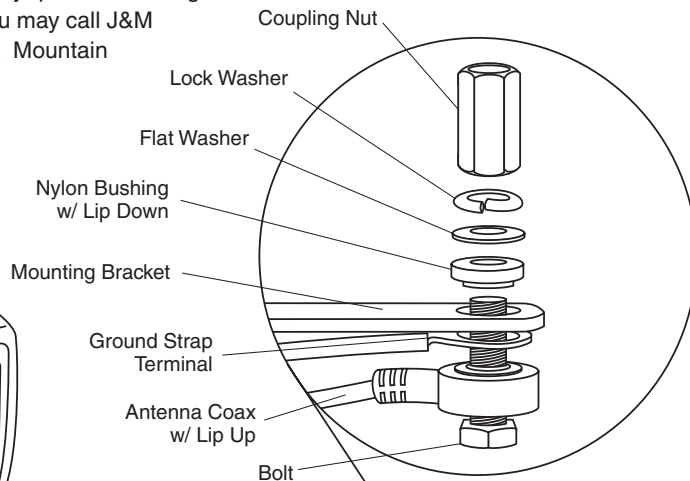
- LPCBA-100 — 1 ft. antenna
- LPCBA-200 — 2 ft. antenna
- LPCBA-300 — 3 ft. antenna
- LPCBA-400 — 4 ft. antenna

Thank you for the confidence you have shown in J&M by purchasing one of our innovative products. If you have any questions during installation, or require further assistance, you may call J&M at 800-358-0881 from 8:00 a.m. to 5:00 p.m. Mountain Standard Time, Monday through Friday.

J & M Corporation Tucson, AZ USA
(800) 358-0881
e-mail: audio@jmc Corp.com
web: <http://www.jmc Corp.com>

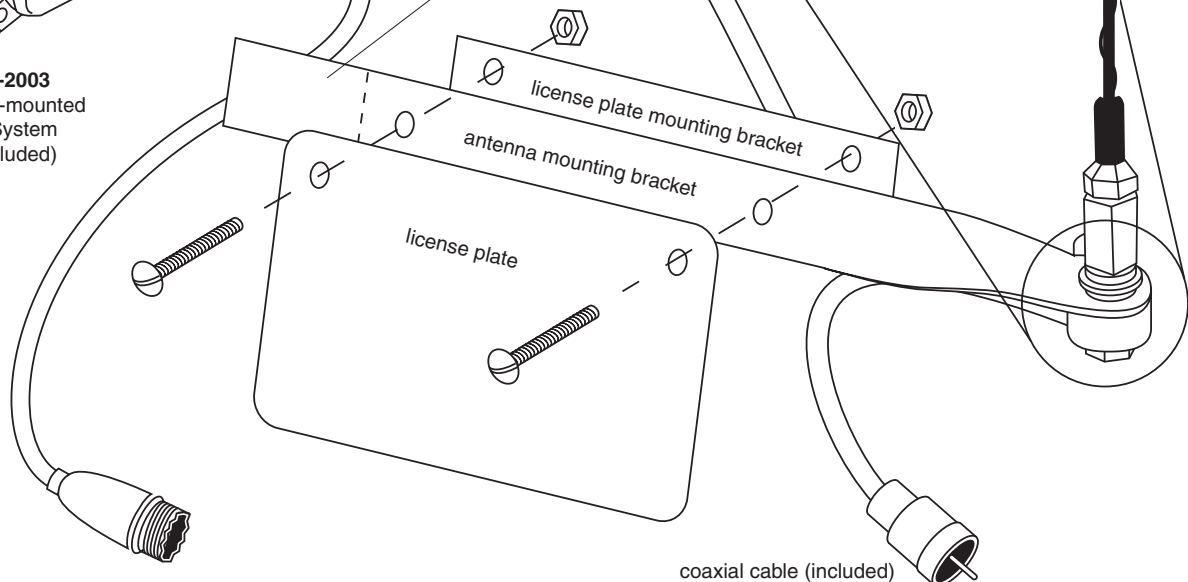


JMCB-2003
Handlebar-mounted
Audio System
(not included)



Saw off bracket excess once mounting holes are positioned and drilled

ground to frame



coaxial cable (included)